

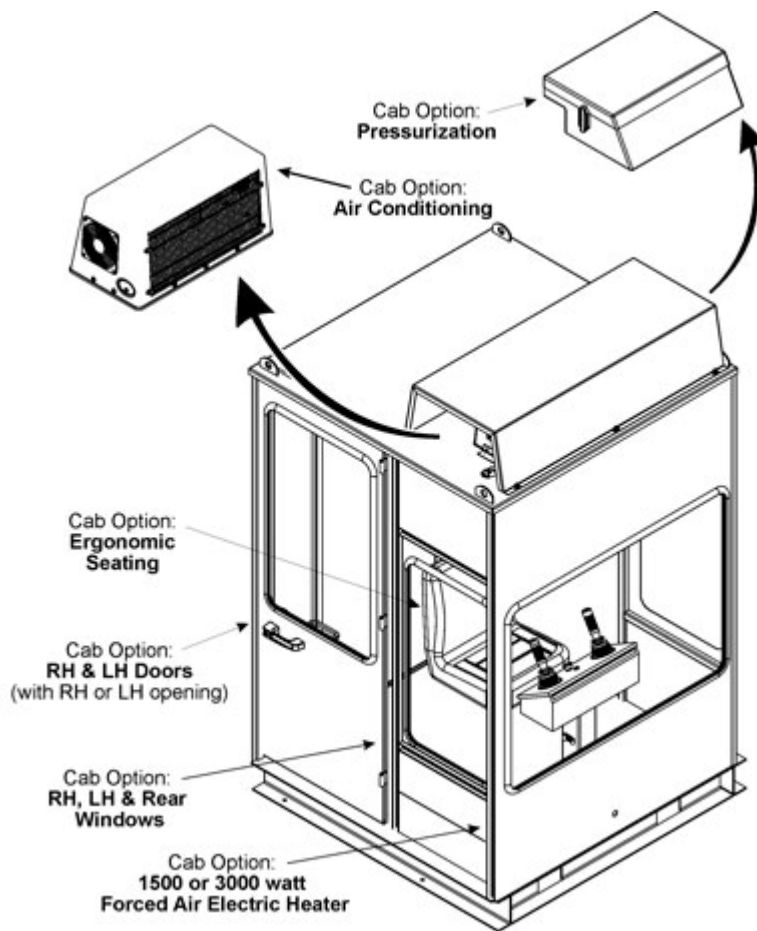
Operator Cab Options – Rockbreaking System

Typical Cab Installation:

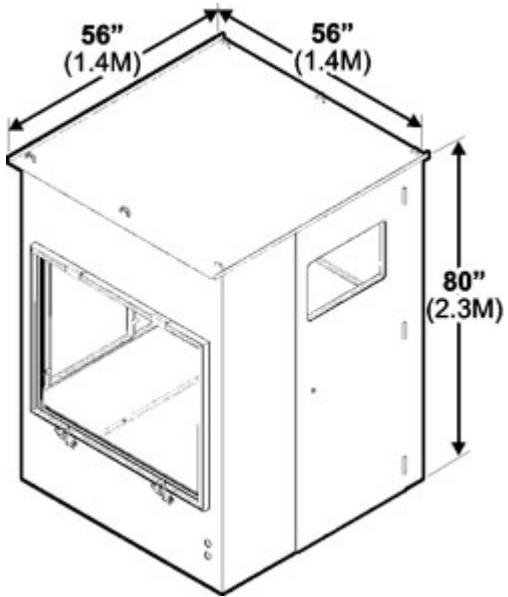
All cabs are complete with insulation, a single door and 3 windows. Various options available.

Cabs are constructed with heavy gauge steel, complete with ½" [12mm] thick Lexan safety glass windows; and 1" [25.4mm] thick or 1-1/4" [32mm] thick Polyurethane Insulation for Medium Cab and R12 Fiberglass Insulation for Large Cab.

Standard features include one latched door with window, front window, side window, remote cab base, and chair.

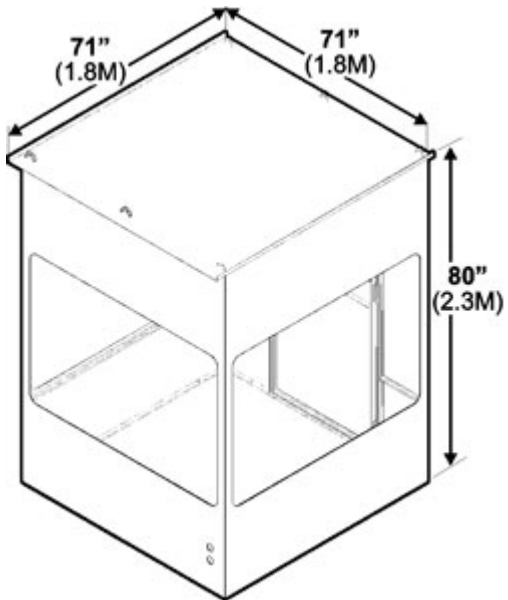


Medium Cabs:



- Heavy gauge steel construction
- ½"[12mm] Lexan safety glass windows.
- Polyurethane insulation - 1.25"[32mm] thick, with additional sound-proofing barrier
- One latched door with window, one front and one side window.
- Remote cab base with seat.

Large Cabs:



- Heavy gauge steel construction
- ½"[12mm] Lexan safety glass windows.
- R12 fiberglass insulation
- One latched door with window, one front and one side window.
- Remote cab base seat.